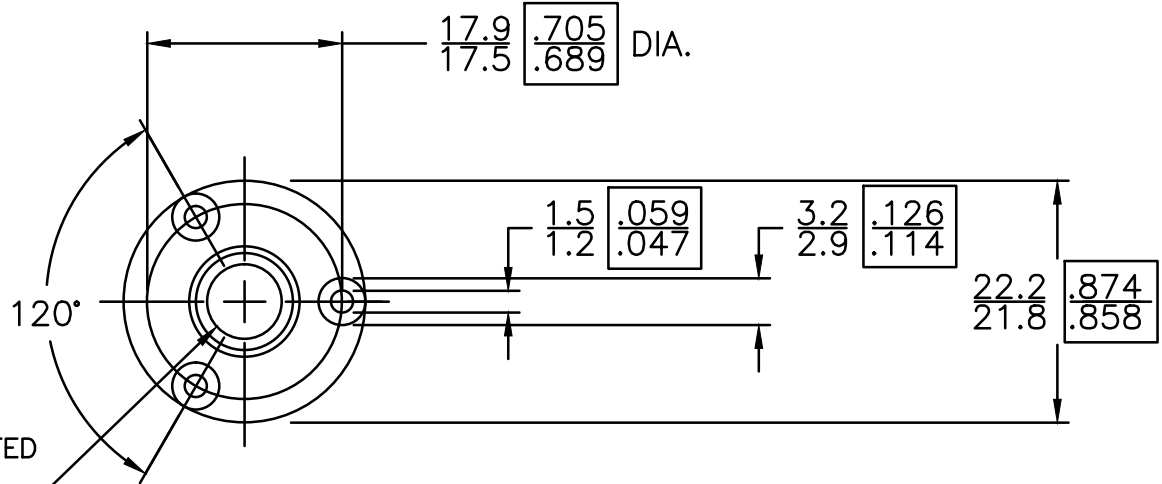


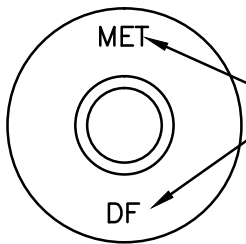
NOTES :

- 1) DIMENSIONS IN ARE IN INCHES.
- 2) ▽ - SPC REQUIRED WITH EVERY SHIPMENT
- 3) HEIGHT OF PROJECTIONS MUST BE WITHIN 0.13 OF EACH OTHER
- 4) THREADS SQUARE TO SURFACE A WITHIN 0.38 TIR.
- 5) NO BURRS OR SHARP EDGES PERMITTED

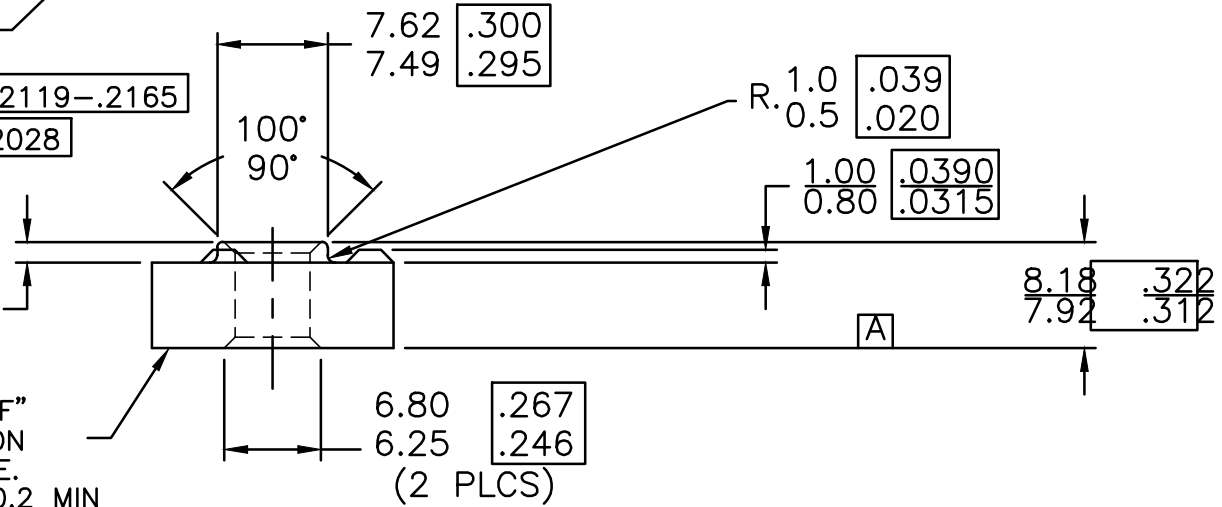
M6X1.0-6H THREAD



- ▽ SPECIAL PITCH DIA. 5.384-5.500 .2119-.2165
- ▽ MINOR DIA. 4.917-5.153 .1935-.2028



"MET" AND "DF" TO APPEAR ON THIS SURFACE. DEPRESSED 0.2 MIN AND 3.0 MIN IN HEIGHT



PROOF LOAD 20.9 KN

| C/N | S | CHANGE | DATE | DR | CH | OK |
|-----|---|--------|------|----|----|----|
| | A | | | | | |
| | B | | | | | |
| | C | | | | | |
| | D | | | | | |
| | E | | | | | |



CONFIDENTIAL

THIS DOCUMENT IS THE EXCLUSIVE PROPERTY OF DECKER MANUFACTURING CORPORATION AND IS TO BE RETURNED TO THE COMPANY UPON REQUEST. THE CONTENTS ARE NOT TO BE USED IN ANY MANNER DETRIMENTAL TO THE INTERESTS OF THE COMPANY. THEY ARE NOT TO BE DISCLOSED OR REPRODUCED IN WHOLE OR IN PART WITHOUT EXPRESSED CONSENT.

| | | |
|------------------------------------|-----------------|----------|
| PART NAME M6X1.0 WELD NUT-ROUND | | |
| CUSTOMER PART NO. | | |
| MATERIAL C1010 STEEL | | |
| FINISH PLAIN | | SCALE |
| DRAWN BY MAK | DATE 6/16/03 | PART NO. |
| CHECKED BY | APPROVED BY | 150-5841 |