

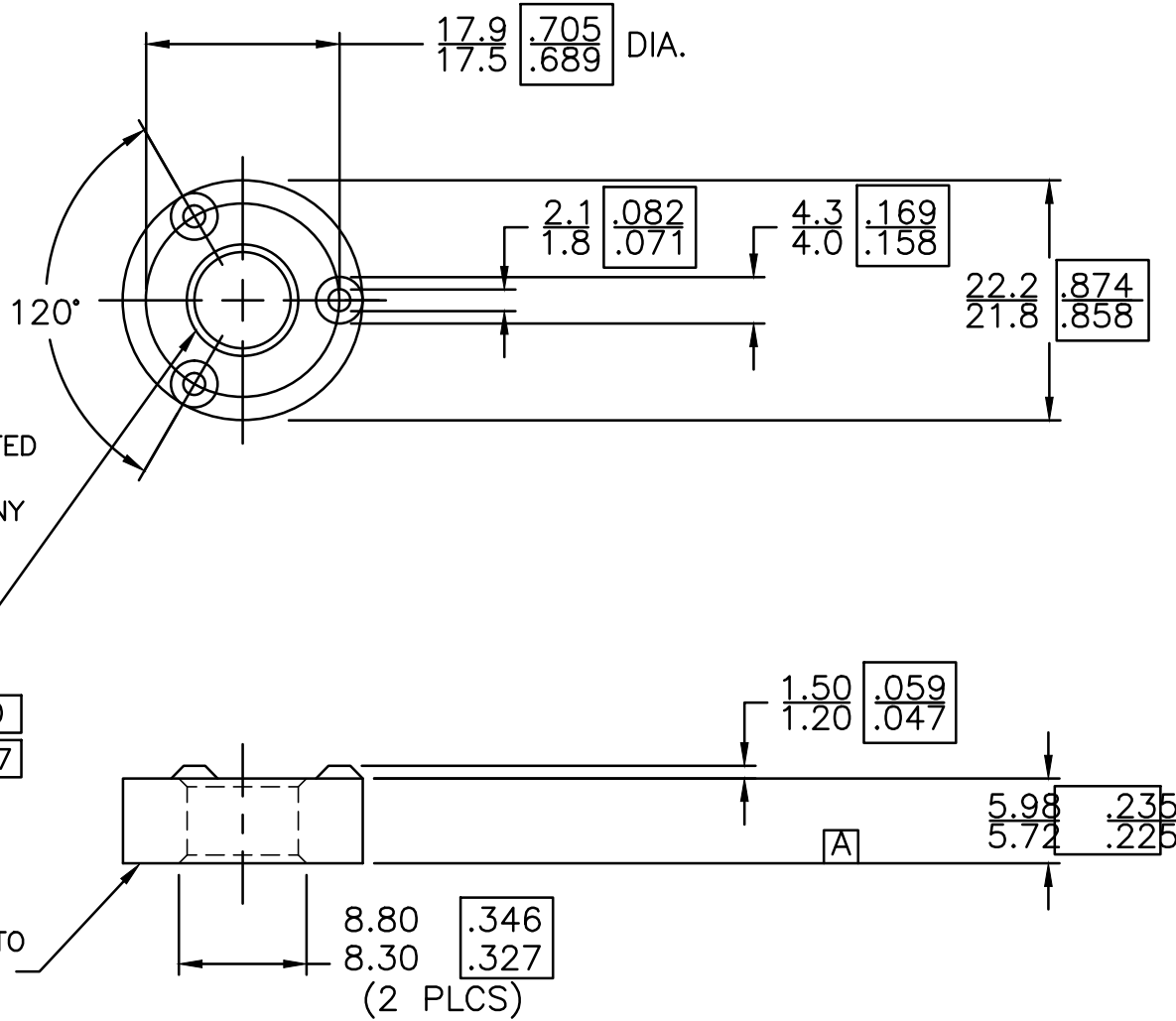
NOTES :

- 1) DIMENSIONS IN ARE IN INCHES.
- 2) ▽ - SPC REQUIRED WITH EVERY SHIPMENT
- 3) HEIGHT OF PROJECTIONS MUST BE WITHIN 0.13 OF EACH OTHER
- 4) THREADS SQUARE TO SURFACE A WITHIN 0.38 TIR.
- 5) NO BURRS OR SHARP EDGES PERMITTED
- 6) VARIATION OF BODY THICKNESS ON ANY NUT CANNOT EXCEED 0.2 mm

5/16-18 UNC 2B MODIFIED

▽ PITCH DIA. 7.05-7.22 .2775-.2840
 ▽ MINOR DIA. 6.40-6.70 .2520-.2637
 PROOF LOAD 5200 LBS.

INDENTED "DF" TO APPEAR ON THIS SURFACE.



C/N	S	CHANGE	DATE	DR	CH	OK
	A					
	B					
	C					
	D					
	E					



CONFIDENTIAL

THIS DOCUMENT IS THE EXCLUSIVE PROPERTY OF DECKER MANUFACTURING CORPORATION AND IS TO BE RETURNED TO THE COMPANY UPON REQUEST. THE CONTENTS ARE NOT TO BE USED IN ANY MANNER DETRIMENTAL TO THE INTERESTS OF THE COMPANY. THEY ARE NOT TO BE DISCLOSED OR REPRODUCED IN WHOLE OR IN PART WITHOUT EXPRESSED CONSENT.

PART NAME 5/16-18 WELD NUT-ROUND		
CUSTOMER PART NO.		
MATERIAL C1010 STEEL		
FINISH PLAIN		SCALE
DRAWN BY MAK	DATE 6/16/03	PART NO.
CHECKED BY	APPROVED BY	150-3972