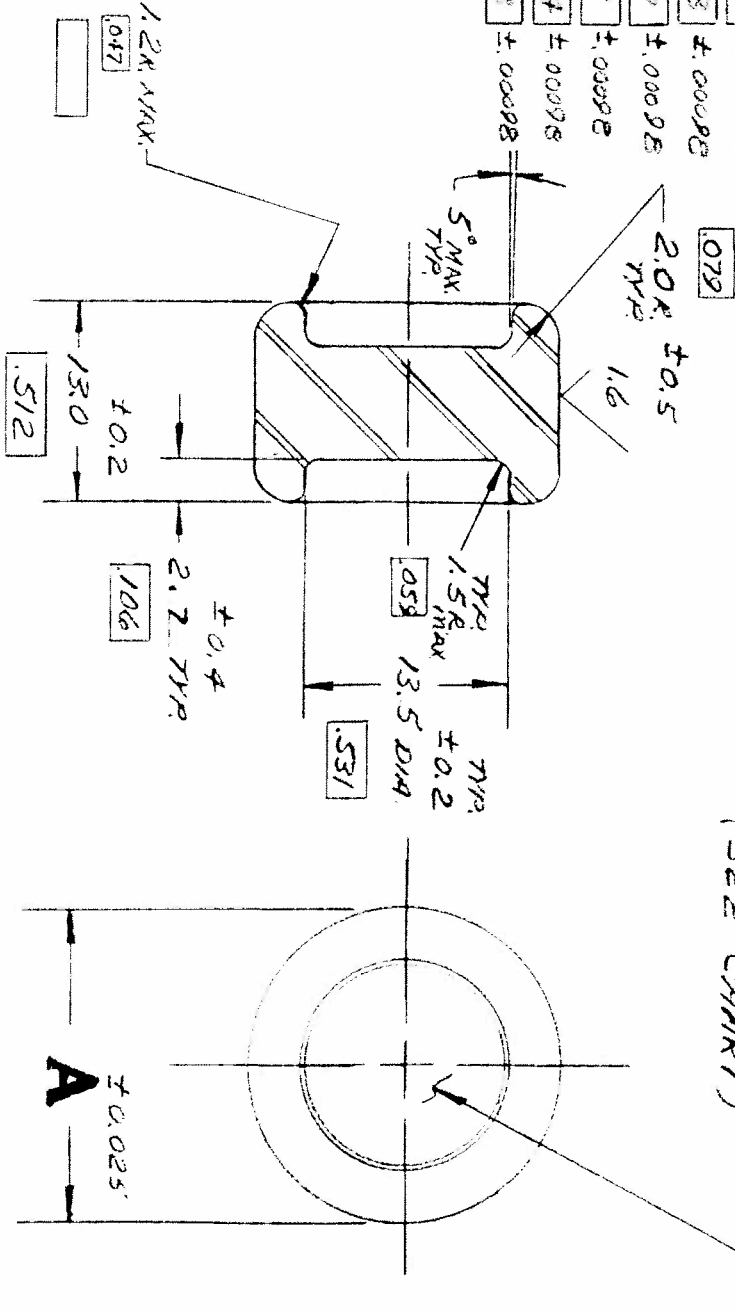


DECKER PART NO.	IDENT.	A
990-PS4Z	Z	20.1
990-PS4Y	Y	20.2
990-PS4X	X	20.3
990-PS4W	W	20.4
990-PS4V	V	20.5
990-PS4U	U	20.6
990-PS4M	M	20.8
990-PS4L	L	20.9
990-PS4S	S	21.0
990-PS4R	R	21.1
990-PS4N	N	21.2
990-PS4P	P	21.3

NOTE:
ALL DIMENSIONS WITHIN
ARE IN INCHES.



PART NO. IDENT.
TO BE IDENTIFIED ON
THIS SURFACE
(SEE CHART)

C/N	S	CHANGE	DATE	DR	CH	OK
A		PART NO. PRELIM WORK 6850-	1/1/10	ML		
B						
C						
D						
E						

DECKER
MANUFACTURING CORPORATION
ALBION, MICHIGAN 49714
PROPRIETARY INFORMATION - CONFIDENTIAL

THIS DOCUMENT IS THE EXCLUSIVE PROPERTY OF DECKER MANUFACTURING CORPORATION, AND SHALL NOT BE COPIED OR DISCLOSED, IN WHOLE OR IN PART, FOR ANY PURPOSE WITHOUT SPECIFIC WRITTEN CONSENT.

PART NAME	ROLLER
CUSTOMER PART NO.	
MATERIAL	CHORD STEEL
FINISH	REMIN
DESIGNED BY	ALVIN
CHECKED BY	ALVIN
DATE	5-17-85
APPROVED BY	ALVIN
DECKER PART NO.	SCAT
	(SEE CHART)