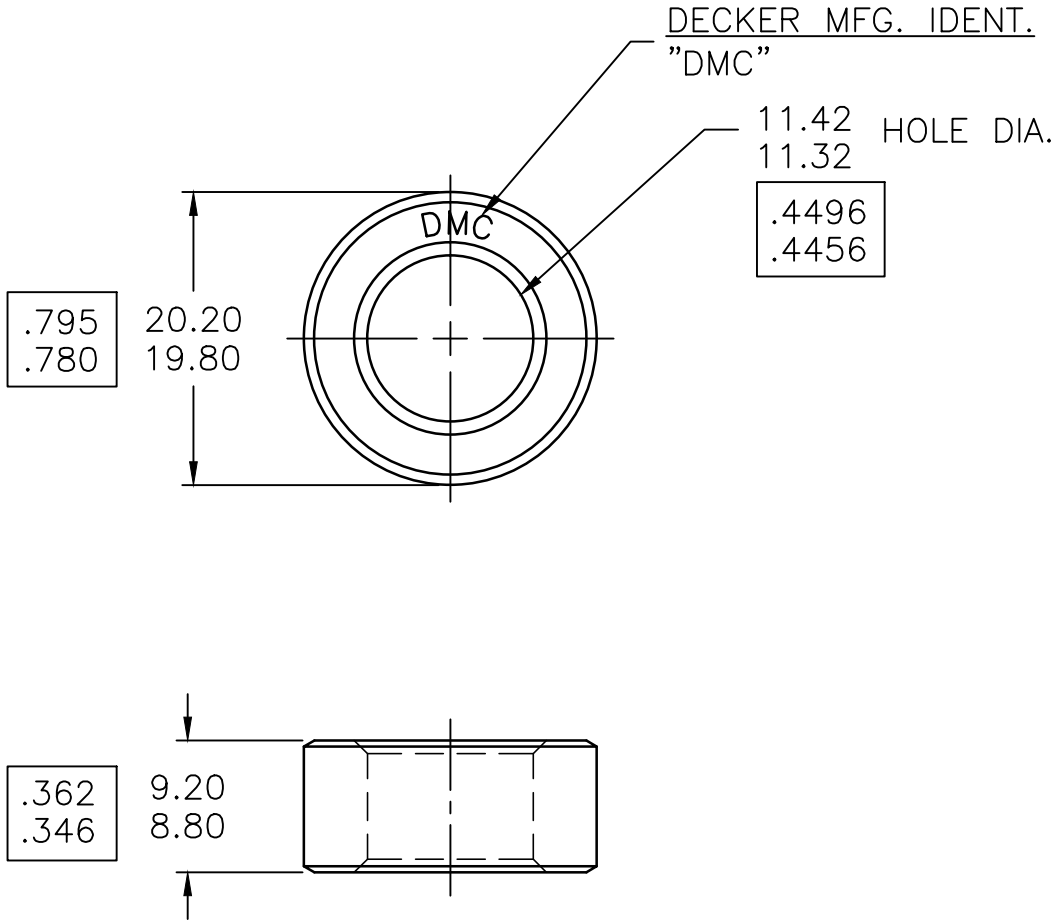
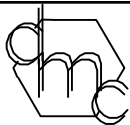


NOTE: DIMENSIONS IN ARE IN INCHES.



C/N	S	CHANGE	DATE	DR	CH	OK
	A	PART NO. WAS EQ-462	2/21/03	GAS		
	B					
	C					
	D					
	E					



DECKER

MANUFACTURING CORPORATION

ALBION, MICHIGAN 49224
CONFIDENTIAL

THIS DOCUMENT IS THE EXCLUSIVE PROPERTY OF DECKER MANUFACTURING CORPORATION AND IS TO BE RETURNED TO THE COMPANY UPON REQUEST. THE CONTENTS ARE NOT TO BE USED IN ANY MANNER DETRIMENTAL TO THE INTERESTS OF THE COMPANY. THEY ARE NOT TO BE DISCLOSED OR REPRODUCED IN WHOLE OR IN PART WITHOUT EXPRESSED CONSENT.

PART NAME			SPACER - ROUND		
CUSTOMER PART NO.					
MATERIAL					
C1010 STEEL					
FINISH					SCALE
PLAIN					FULL
DRAWN BY		DATE		PART NO.	
MAK		1/23/03		980-Q462	
CHECKED BY		APPROVED BY			