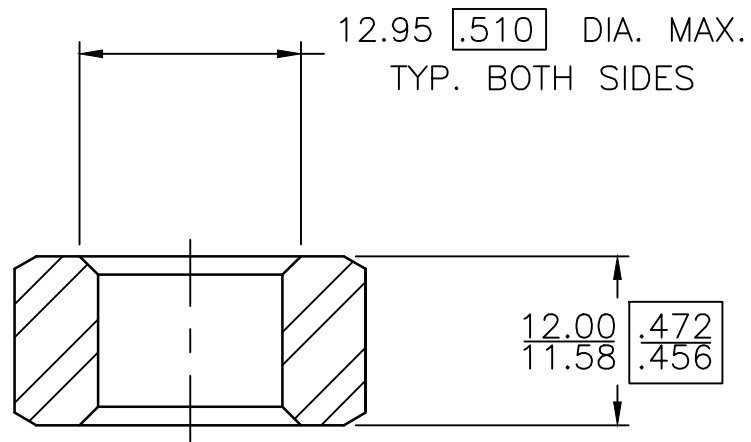
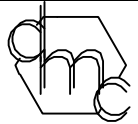


NOTE: DIMENSIONS IN  ARE IN INCHES.



C/N	S	CHANGE	DATE	DR	CH	OK
	A					
	B					
	C					
	D					
	E					



**DECKER**  
MANUFACTURING CORPORATION  
ALBION, MICHIGAN 49224  
CONFIDENTIAL

THIS DOCUMENT IS THE EXCLUSIVE PROPERTY OF DECKER MANUFACTURING CORPORATION AND IS TO BE RETURNED TO THE COMPANY UPON REQUEST. THE CONTENTS ARE NOT TO BE USED IN ANY MANNER DETRIMENTAL TO THE INTERESTS OF THE COMPANY. THEY ARE NOT TO BE DISCLOSED OR REPRODUCED IN WHOLE OR IN PART WITHOUT EXPRESSED CONSENT.

PART NAME			M12X1.75 D.C. HEX NUT		
CUSTOMER PART NO.					
MATERIAL					
C1038 STEEL					
FINISH					SCALE
PLAIN					2xSIZE
DRAWN BY		DATE		PART NO.	
MAK		4/23/14		115-1571	
CHECKED BY		APPROVED BY			