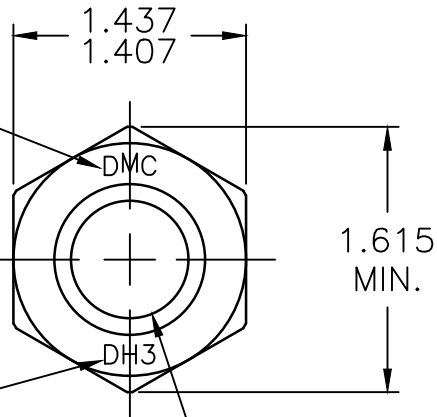


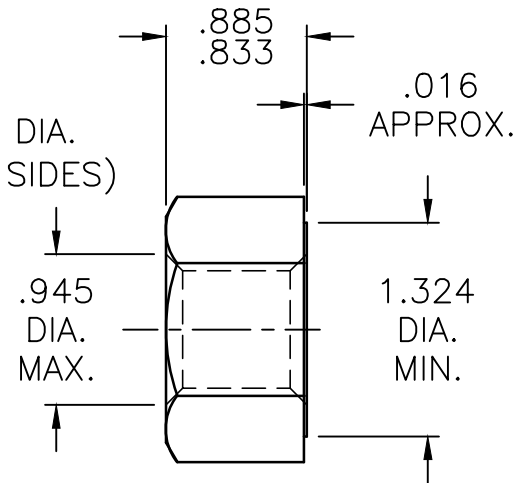
DECKER MFG. IDENT.
"DMC"



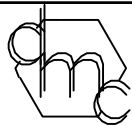
ASTM A-563 GRADE
"DH3" MARKING

$\frac{7}{8}$ -9 THREADS
+.022 OVERSIZE

C'SINK DIA.
(BOTH SIDES)



C/N	S	CHANGE	DATE	DR	CH	OK
	A					
	B					
	C					
	D					
	E					



DECKER

MANUFACTURING CORPORATION

ALBION, MICHIGAN 49224
CONFIDENTIAL

THIS DOCUMENT IS THE EXCLUSIVE PROPERTY OF DECKER MANUFACTURING CORPORATION AND IS TO BE RETURNED TO THE COMPANY UPON REQUEST. THE CONTENTS ARE NOT TO BE USED IN ANY MANNER DETRIMENTAL TO THE INTERESTS OF THE COMPANY. THEY ARE NOT TO BE DISCLOSED OR REPRODUCED IN WHOLE OR IN PART WITHOUT EXPRESSED CONSENT.

PART NAME			WASHERFACE HEX NUT		
CUSTOMER PART NO.					
MATERIAL					
ASTM A325 STEEL					
FINISH					SCALE
PLAIN					FULL
DRAWN BY		DATE		PART NO.	
MAK		4/21/14		025-14D3	
CHECKED BY		APPROVED BY			