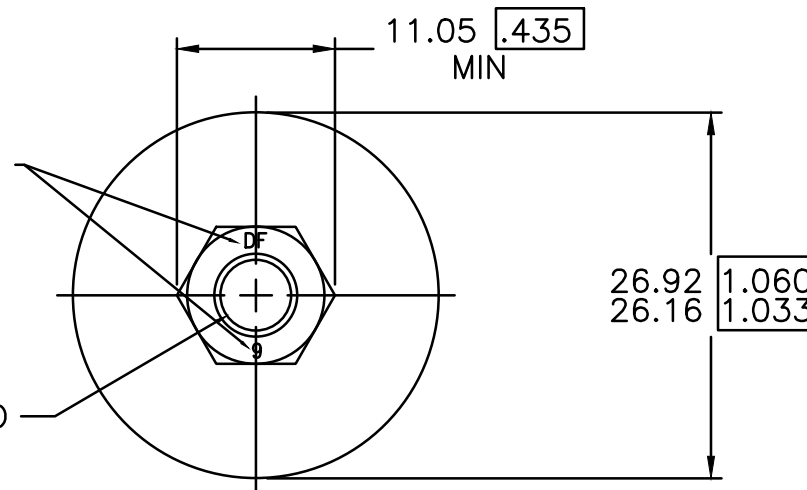


NOTE: DIMENSIONS IN ARE IN INCHES.

DECKER FASTENERS IDENT. "DF"
& PROPERTY CLASS "9" MARKING

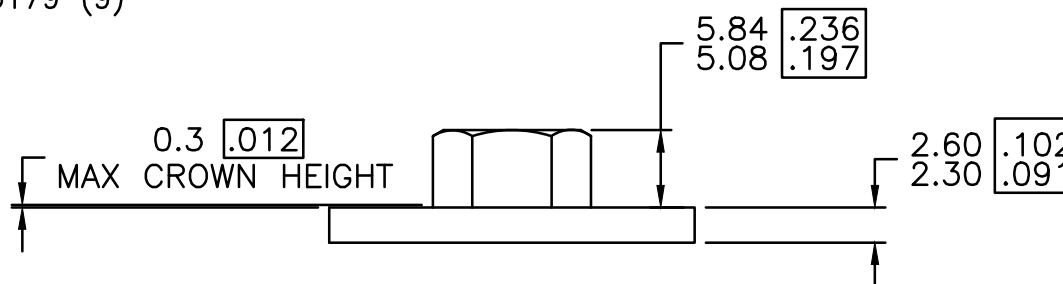
M6X1.0 6H THREAD



NOTES:

WASHER MATERIAL: SAE 1050
WASHER HARDNESS: RC 33-40

NUT MATERIAL: SAE 1010 STEEL PER MS-6179 (9)



C/N	S	CHANGE	DATE	DR	CH	OK
	A					
	B					
	C					
	D					
	E					



CONFIDENTIAL

THIS DOCUMENT IS THE EXCLUSIVE PROPERTY OF DECKER MANUFACTURING CORPORATION AND IS TO BE RETURNED TO THE COMPANY UPON REQUEST. THE CONTENTS ARE NOT TO BE USED IN ANY MANNER DETRIMENTAL TO THE INTERESTS OF THE COMPANY. THEY ARE NOT TO BE DISCLOSED OR REPRODUCED IN WHOLE OR IN PART WITHOUT EXPRESSED CONSENT.

PART NAME		
NUT & WASHER ASSY.		
CUSTOMER PART NO.		
MATERIAL		
SEE NOTE		
FINISH		SCALE
PLAIN		2X
DRAWN BY	DATE	PART NO.
MAK	8/8/06	535-8946
CHECKED BY	APPROVED BY	