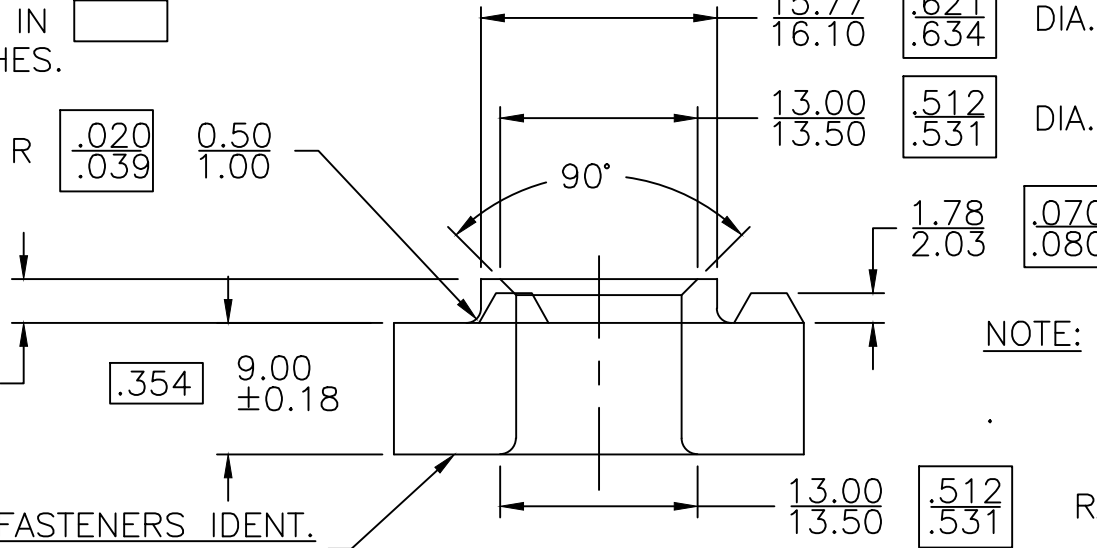


NOTE: DIMENSIONS IN ARE IN INCHES.



NOTE: ALL PROJECTION HEIGHTS MUST BE WITHIN 0.13 OF OTHER PROJECTIONS.

DECKER FASTENERS IDENT.
"DF and MET" 180° APART

C/N	S	CHANGE	DATE	DR	CH	OK
	A	PART NO. WAS 008-6329	7/30/01	MAK		
	B					
	C					
	D					
	E					



CONFIDENTIAL

THIS DOCUMENT IS THE EXCLUSIVE PROPERTY OF DECKER MANUFACTURING CORPORATION AND IS TO BE RETURNED TO THE COMPANY UPON REQUEST. THE CONTENTS ARE NOT TO BE USED IN ANY MANNER DETRIMENTAL TO THE INTERESTS OF THE COMPANY. THEY ARE NOT TO BE DISCLOSED OR REPRODUCED IN WHOLE OR IN PART WITHOUT EXPRESSED CONSENT.

PART NAME WELD NUT - ROUND		
CUSTOMER PART NO.		
MATERIAL C1010 STEEL		
FINISH PLAIN		SCALE 2xSIZE
DRAWN BY GAS	DATE 4/4/01	PART NO.
CHECKED BY	APPROVED BY	150-6329