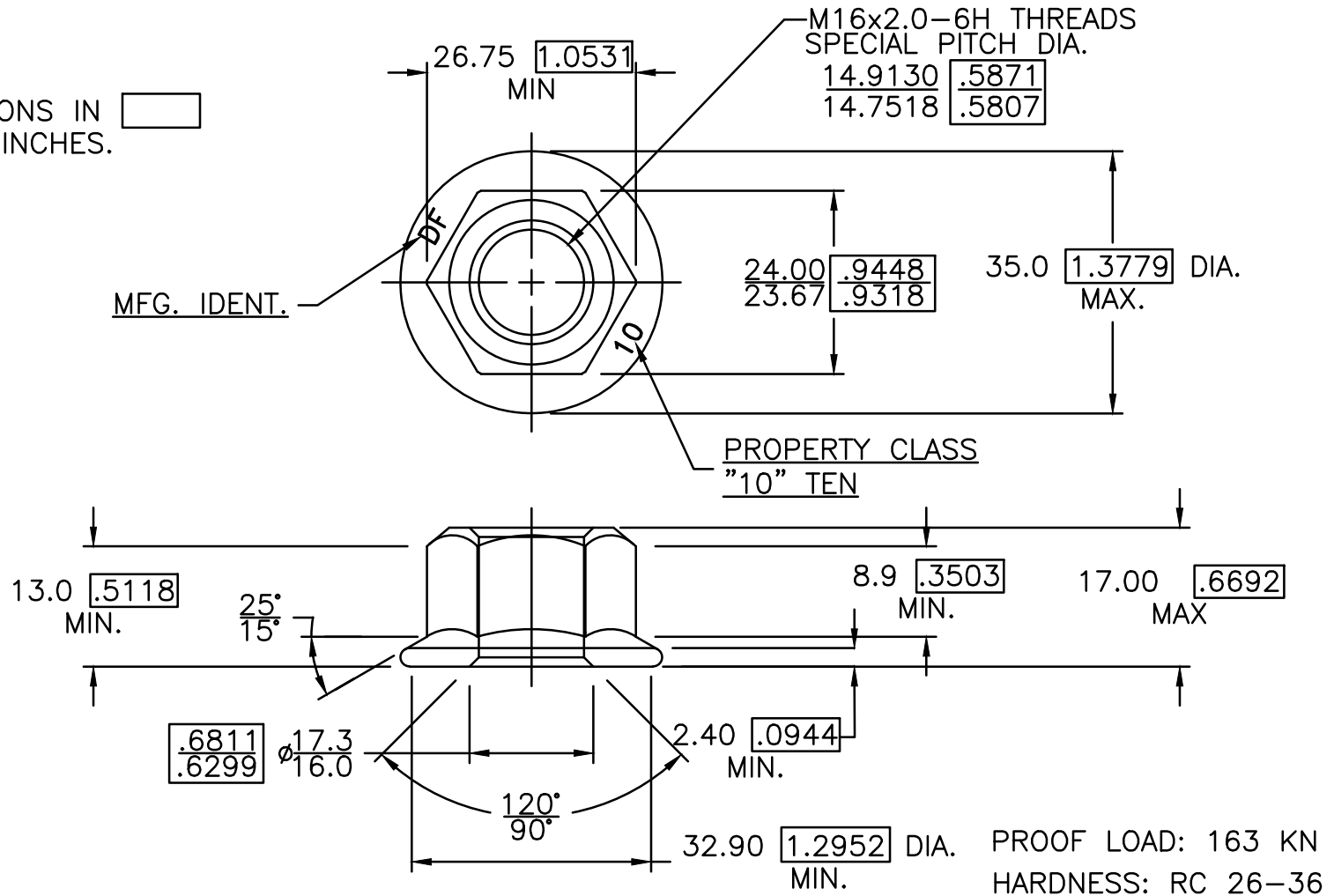


NOTE: DIMENSIONS IN ARE IN INCHES.



PROOF LOAD: 163 KN
HARDNESS: RC 26-36

C/N	S	CHANGE	DATE	DR	CH	OK
	A					
	B					
	C					
	D					
	E					



CONFIDENTIAL

THIS DOCUMENT IS THE EXCLUSIVE PROPERTY OF DECKER MANUFACTURING CORPORATION AND IS TO BE RETURNED TO THE COMPANY UPON REQUEST. THE CONTENTS ARE NOT TO BE USED IN ANY MANNER DETRIMENTAL TO THE INTERESTS OF THE COMPANY. THEY ARE NOT TO BE DISCLOSED OR REPRODUCED IN WHOLE OR IN PART WITHOUT EXPRESSED CONSENT.

PART NAME M16 x 2.0 FLANGE NUT - HEX (LOCKED)		
CUSTOMER PART NO.		
MATERIAL 10B21 STEEL		
FINISH PLAIN		SCALE
DRAWN BY MAK	DATE 12/2/09	PART NO.
CHECKED BY	APPROVED BY	225-1183